



Spec No. HYAS9976076C

Specification
for
SE-FF3R-562SH-S1
Filter Embedded Fiber ($\phi 0.25$) 1315/1625 SWPF

Prepared by K. Kitazawa Apr/05/2002
Kazuko Kitazawa / Engineer

Approved by Y. Suetsugu Apr/ 5/2002
Yoshiyuki Suetsugu / Manager

1. Usage

This specification is applied to Optical Filter Embedded Fiber that pass 1.31 μ m and 1.55 μ m and stop 1.625 μ m.

2. Product Name

SE-FF3R-562SH-S1

3. Construction

Construction of Filter Embedded Fiber is shown in attached drawing (Figure. 1).

4. Specification

- (1) Applicable Fiber ϕ 0.25mm Single Mode Fiber(UV coated Fiber)
 (2) Operating Temperature -20°C ~ $+70^{\circ}\text{C}$
 (3) Optical Characteristics See Table. 1

Table. 1

Item	Wavelength [nm]	Spec. [dB]
Insertion Loss	1310/1550nm	$\leq 1.0\text{dB}$
Wavelength Isolation	1625nm	$\geq 35\text{dB}$
Return Loss	1310/1550nm	$\geq 40\text{dB}$

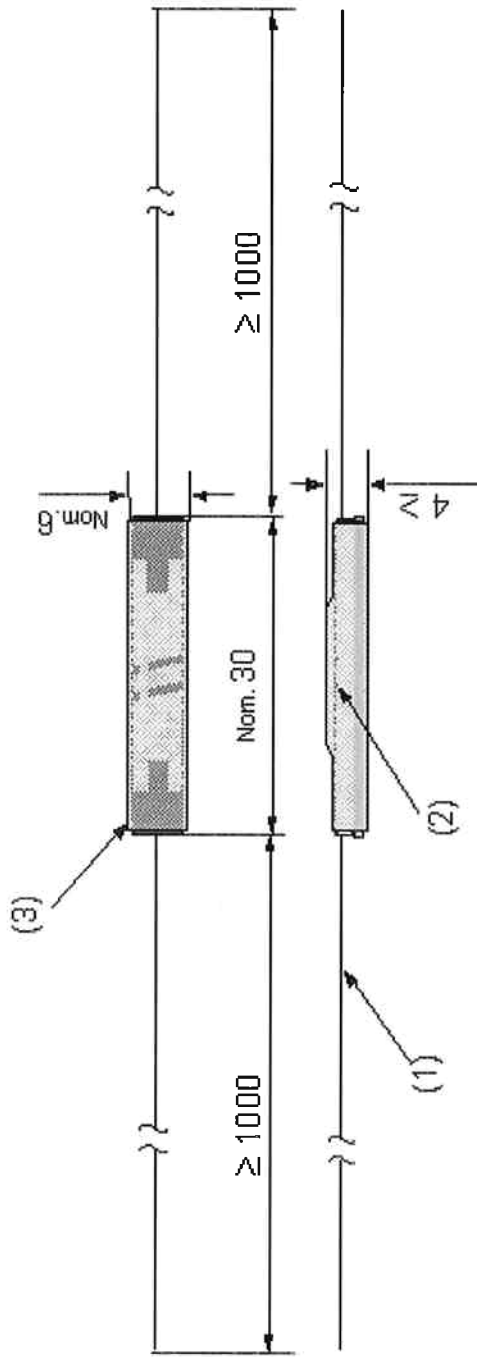
5. Test Report

The test data regarding Insertion Loss and Isolation will be attached to the product.

6. Packaging

The product will be packed so that it will not effect appearance or the optical characteristics during shipment.

Figure. 1



[Unit :mm]

- (1) Single Mode Fiber ($\phi 0.25\text{mm}$ UV coated Fiber)
- (2) Filter
- (3) Tube

SE-FF3R-562SH-S1 Filter Embedded Fiber($\phi 0.25$)1315/1625 SWPF